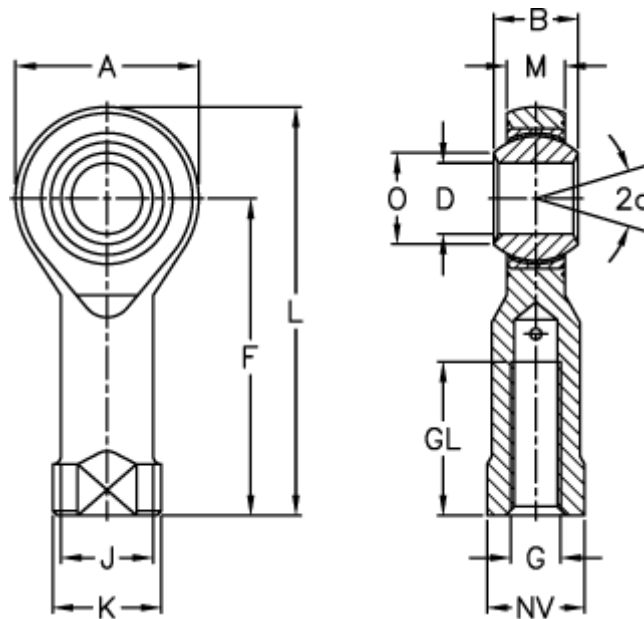


Article number: 03213025

Description: Fluro Rod End GILRSW 25
Housing stainless steel with left-handed thread

Measures



A	= 60	J	= 33.5	Weight (g) = 750
a (degrees)	= 15	K	= 42	
B	= 31	L	= 124	
D	= 25	M	= 22	
Dynamic load C (kN)	= 122	NV	= 36	
F	= 94	O	= 29.6	
G	= M24x2	Permissible rpm	= 150	
GL	= 42	Static load C0 (kN)	= 118	